



Description

STUCCOMAX™ is an inorganic mixture of mineral binders and limestone sand with exceptional performance, environmentally sustainable while providing strength, durability, and economy. It forms a strong bond with expanded polystyrene foam (EPS) with tensile bond strength exceeding the tensile strength of the foam substrate. Unlike other stucco's it does not require multiple coats. It can be applied as a one coat-two pass also known as a "double back" coat from 1/8" to 3/16" depending on application. STUCCOMAX™ is naturally tan-light grey color. For traditional 3-coat stucco installation, STUCCOMAX™ replaces scratch and brown coats and can be installed in one day. A primer plus paint finish or color coat can be applied after fully cured to complete the installation. We highly recommend a masonry primer and elastomeric paint finish for ultimate weather resistance. STUCCOMAX™ is pre-blended; just add water at the job site and mix with conventional plaster/stucco type mixing equipment. It can be pumped and sprayed or hawk and trowelled with conventional plaster and stucco equipment.

STUCCOMAX™ is designed to be environmentally responsible and sustainable and emits no pollutants. It uses only natural materials, with absolutely NO Portland type cement and qualifies for LEEDS point's benefits. The Product meets emission level requirements of GREENGUARD Product Quality. STUCCOMAX™ is silica free, and does not support the growth of mold and mildew.

PERFORMANCE BENEFITS AT A GLANCE

- Provides a hard, durable single coat over EPS exterior walls, over 3,000 PSI compressive strength
- Applies directly over EPS foams or CMU block.
- Noncombustible building material
- Zero flame spread, and zero smoke developed indices
- Resistant to mold and mildew growth
- When applied at a thickness of 3/16" inch over EPS foam with 11 oz fiberglass mesh, the installation exceeds impact and indent performance of Sto and Dryvit comparable products applied in multiple coats at a higher cost.
- It is environmentally sustainable with a low carbon foot print
- Can be applied in one coat in one day and finished the next day.
- Pre-formulated mix, needs only water on jobsite
- Mix and apply using pumps/sprayers or hawk and trowel
- No need to constantly water down after installation unlike Portland cement type products
- Utilizes 11 oz fiberglass mesh for improved crack resistance as used in EIFS applications
- Installs by EIFS/Stucco and Plastering trades

COVERAGE

Packaging	Applied Thickness	Coverage	Weight (lbs/sq.ft)
STUCCOMAX™ 75 lb	1/8"	55	1.13
STUCCOMAX™ 75 lb	3/16"	45	1.67

Product yields may also vary due to water content and substrate conditions.

Technical Data

TEST	STANDARD METHOD	RESULTS
Compressive Strength (psi)	ASTM C-109	3000 @ 7 days
Flexural Strength MOR (psi)	ASTM C-293 modified	900 @ 7 days
Tensile Strength (psi)	ASTM C-190	Meets or Exceeds
Tensile Bond Strength (psi)	ASTM C-297	Meets or Exceeds
Impact Resistance (in-lb)	ASTM D-5420	> 100
Cold Water Absorption (% by wt)	ASTM C-642	7 days 2-3 %
Shrinkage (% by length)	ASTM C-157	Air Cure -7 days 0.00
Accelerated Weathering	ASTM G-26	Meets or Exceeds
Freeze-Thaw	ICBO AC 11	> 40 cycles No cracking, crazing, erosion
Surface Burning	ASTM E-84	Flame Spread: 0 Smoke : 0
Fire Resistance	ASTM E-119	Meets or Exceeds
Combustibility	ASTM E-136	Non-Combustible
Wind Loads	ASTM E-330	Meets or Exceeds

PACKAGING

STUCCOMAX™ is shipped in 75-lb. (22.5 kg) moisture-resistant sealed bags.

SHELF LIFE

When properly stored indoor in original sealed packaging, STUCCOMAX™ has a shelf life of one year from the date of manufacture.

APPLICATION

STUCCOMAX™ - can be applied by pump and spray or hawk and trowel to the desired thickness in a single coat application. STUCCOMAX™ installation can be completed in one day, using a single coat method of application.

LIMITATIONS

Mixing water must be potable and water temperature not to exceed 75 F.

May be remixed or agitated during application but may not be re-tempered with water after initial mixing has taken place

Should be applied under ambient conditions of more than 35% relative humidity, and temperatures within the range of 40-85 F

Substrate temperature should not exceed 85 F.

PRODUCT WARRANTY

5 years from the date of installation, requiring compliance to the GigaCrete, Inc. Best Practices Guidelines for STUCCOMAX™ installation and subject to limitations listed above.

GiGACRETE™
BUILD STRONG. BUILD FORWARD.™

6775 Speedway Blvd
Suite M-105
Las Vegas, NV 89115
Phone: 702-643-6363 Fax: 702-643-1480

STUCCOMAX™

Description	StuccoMax™ is a truly green non Portland cement base exterior wall finish coating. Its ultimate high strength is achieved in less than 24 hours and rapid set qualities enable the finish to be applied within a single work day. StuccoMax™ utilizes fiberglass mesh to further enhance its inherent abuse resistant qualities in thin applications. StuccoMax™ leads the industry in innovation when low embodied energy, high performance and cost effectiveness is required.
Uses	StuccoMax™ is applied to exterior walls in residential, commercial and industrial insulated concrete construction (ICF) and other building systems that utilize expanded polystyrene (EPS).
Advantages	StuccoMax™ sets and cures in a fraction of the time of conventional Portland cement products providing quick job turn around. LEED points are also easily achieved where none currently exist in this area.

JOBSITE CONDITIONS

Weather	<p>StuccoMax™ shall be applied in ambient air temperatures above 32°F and rising and remain above 32°F for a 24 hour period. Avoid installing in excessive heat above 85°F unless precautions are made to avoid rapid hydration.</p> <p>Do not apply StuccoMax™ to substrates that are below 32°F or that are wet, frozen or contain frost.</p> <p>Do not apply StuccoMax™ during inclement weather or when inclement weather is inevitable unless appropriate weather protection is used.</p>
Direct Sunlight	Whenever possible, avoid installing StuccoMax™ in direct sunlight. Direct sunlight reduces working time and may promote premature surface hydration. Shade the staging if necessary to avoid sun/shade lines from the staging itself or other nearby objects. Misting the work area in extremely dry conditions will increase the relative humidity (35% minimum) and help the materials from premature hydration. Wet curing for at least 3 hours is recommended and maintain 35% minimum relative humidity for 24 hours.

ACCESSORIES AND RELATED MATERIALS

Sealants	Perimeter seals around window and door frames and all other through wall penetrations shall be designed for 50% elongation and minimum 25% compression. Appropriate sealant shall be selected by the architect.
-----------------	---

Perimeter seal joints shall be a minimum width of ½” and utilize a closed-cell polyurethane foam backer rod. Joint design and associated preparation shall be based upon the sealant manufacturer’s recommendation.

Flashing

Flashing around windows, doors chimneys, transitions between walls and roof and at other points specified shall be continuous and watertight. Flashing shall be designed and installed to prevent water infiltration behind the **StuccoMax™** system.

Joints

Expansion joints are installed at all areas where movement is anticipated and at all building structural breaks. Joint placement shall be specified by the architect and should follow standard plaster/stucco practices.

ICF WALL SYSTEM

Preparation

Rasping is necessary to remove potential bond breakers and to plane profile irregularities. All substrates must be clean, dry and sound with planar irregularities less than ¼” within a 4’ radius.

Repair damage, dents and voids in the EPS substrate with an appropriate expanded insulation prior to applying **StuccoMax™**. Do not attempt to make repairs with **StuccoMax™** or anything other than expanded foam insulation.

Do not install **StuccoMax™** on wet or frozen surfaces.

Inclined Surfaces

StuccoMax™ shall be installed on inclined surfaces with a minimum of 6” vertical rise in 12” horizontal run. The maximum slope run shall be 12”. **StuccoMax™** is not recommended for installation on inclined areas not meeting this criterion.

Vapor Barriers and ICF. ICF wall systems are considered “High Mass” walls (as opposed to cavity walls) and DO NOT require vapor barriers. The low permeability of foam and concrete provide a natural barrier against air-borne moisture and air infiltration.

MIXING

Package

StuccoMax™ packaged in 75# moisture resistant paper bags. Material volume exceeds the capability of a standard five gallon bucket so mixing must be done in a vessel capable of holding ten gallons of material.

Water

Mixing water must be potable and from a municipal source. Water temperature should be considered and adjusted if necessary.

Mixing

Pour 4.5 quarts of water into the mixing bucket and begin to add **StuccoMax™**. Begin mixing while slowly adding in remaining **StuccoMax™** bag contents. Mix time is approximately 3 minutes or until a smooth lump free consistency is met.

Small amounts of water may be added to adjust material consistency if necessary.

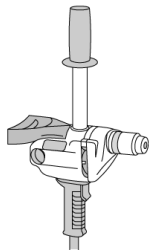
Equipment

H/D Drills with typical plaster mixer attachments may be used. Hand held ergonomically engineered mixers are also acceptable. Avoid excessive high speeds as this can create heat and accelerate setting times, reducing workability.

Pot Life

StuccoMax™ bucket life is approximately 20 minutes. Plan the installation so that each batch can be conveniently applied within this time frame. Re tempering batches that are beginning to set is strongly discouraged.

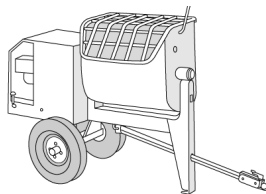
Mixing Equipment



Mixing StuccoMax is easy but can be made difficult without the right mixing equipment. Smaller projects are generally batched one unit at a time and mixed in a 10 gallon bucket (available from restaurant supply companies.) Drills with plaster mixing paddles are commonly used for this purpose. A ½" (12mm) 7 amp variable speed drill with 650 rpm is commonly used for bucket batching.



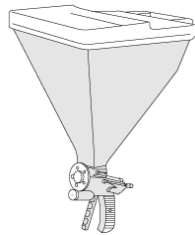
Direct drive mixers are ergonomically designed and minimize torque reduction that increases batch efficiency. Most are equipped with variable speed options that reduce product overflow while blending the dry product with water. Direct drive mixers are recommended over heavy duty ½" (12mm) drills for bucket mixing.



A standard mortar mixer may be used for larger volume projects. Ensure that the bulk batch volume matches the application volume consumption and fresh material is continuously used.

Spray Equipment

StuccoMax™ may be applied by hand trowel, hopper gun texture sprayer or stucco/plaster type spray equipment. When using spray equipment, it may be necessary to adjust the air flow rate, nozzle orifice size and feed rate to maximize application efficiency. Adjust application speed in order to achieve the desired application depth and aesthetic affect. Testing spraying/pumping equipment and material prior to installation is strongly recommended.

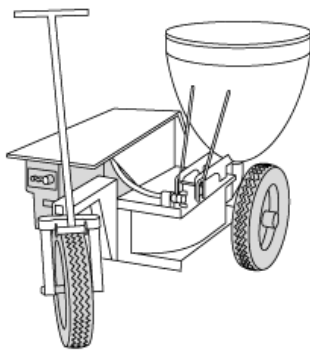


Hopper Gun (low volume)

Hopper texture guns may be used to apply StuccoMax. Hopper guns are typically used for smaller volume projects and are typically used for producing textures such as orange peel, splatter and splatter knock downs. A Marshalltown Sharpshooter 693 is recommended when considering hopper gun applications.

Spray Specifications

Nozzle	Material Orifice	Air Orifice	CFM	Max Hose Length
Blow cap	¼" (6mm)	1/8" (3mm)	4	50' (15 meters)



Peristaltic Pump or “**Squeeze Pump**” (Medium to high volume)

Peristaltic pumps offer the same benefits as rotor stator pumps but are much more user friendly. Material never interfaces with pumping parts reducing the set up and wash out time. Peristaltic pumps use less pressure – delivering material safely and effectively. Various output options and sizes are available.

APPLICATION

Hawk & Trowel

StuccoMax™ may be hand applied like most conventional plaster material. Efficient application practice is recommended to ensure that fresh material is used.

Spraying

StuccoMax™ may be spray applied using conventional plaster delivery equipment. Ensure continuous material spraying for best results. Wash the pump and hoses during work breaks.

Application

A first 1/8" coat of **StuccoMax™** is direct applied to the EPS and worked flat. Mesh is embedded into the first coat working material through while ensuring that the mesh is flat and free of wrinkles. Overlap adjoining mesh by a minimum of 2.5" to 4" ideally. A second pass of **StuccoMax™** is immediately applied over the mesh to the specified thickness. This is a true one coat double back (two pass) method that typically results in a 3/16" to 1/4" overall thickness.

Mesh

Mesh gauge is specified by the architect per application. Mesh gauge is increased as project abuse resistance requirements increase. Categories include:

1. Standard – 4.2 ounce per yd. No impact resistance and not recommended for anything but V grooves and corners where heavier mesh cannot be easily formed.
2. Medium – 11 ounce per yd. High impact resistance, preferred by GigaCrete for most surfaces.
3. High – 15 ounce per yd. High impact resistance
4. Ultra high – 20 ounce per yd. Very High impact resistance

Mesh gauge 4.2 and 11 ounce per yd are overlapped on all edges a minimum of 2.5". Mesh gauge 15 and 20 ounce per yd abut tightly and do not overlap at all edges due to the mesh thickness. Apply mesh strips on all corners of doors and windows where cracking is most likely to occur. These are also pre-cut "L" and "T" shapes and is an industry standard crack reducer.

Trowel Timing

Working time depends on material viscosity, temperature and humidity. Generally, the material is easily applied in approximately 20 minutes. Trowel lines and application irregularities may be flattened within 20 minutes of the application. Water troweling will not harm **StuccoMax™**.

Do not over trowel as surface blistering may occur. Plan to improve the wall profile in the relative short term.

Spray Specifications

Nozzle	Material Orifice	Air Orifice	CFM	Max Hose Length
Blow cap	1/4"	1/8"	4	50'

Note: use a "dash" or fine spray pole assembly when spray applying **StuccoMax™**

Surface Protection and Decoration

Paint

Exterior masonry type paint primers are recommended prior to final paint coat. Washing the wall surface to remove any dust or contaminants is highly recommended prior to any painting. If the natural **StuccoMax™** is preferred it should be sealed with a clear non staining sealer which will assist reducing stains or watermarks caused by rain run-off.

GENERAL

Clean Up

All mixing and finishing equipment must be thoroughly washed immediately after use. Potable water is sufficient for cleaning.

Curing

Ensure that **StuccoMax™** is allowed to cure in temperatures within the application temperature range. Moist curing for 2 hours is recommended.

Coverage

Each 75 lb. (22.6 kg) of **StuccoMax™** covers approximately **45 sq. ft.** at a thickness of 3/16 in.

Storage

StuccoMax™ bags should be stored in a secure, **indoor and dry space**. It is important that bags maintain their seal and are free of puncture or tear.

Shelf Life

When properly stored in original sealed packaging, **StuccoMax™** has a shelf life of one year from the date of manufacture.

Tech Support

Contact GigaCrete, Inc. at (702) 643-6363 (PST) or (508) 294-8249 (EST)

Warning!

StuccoMax contains no harmful ingredients, for safety sake Keep out of reach of children.

MATERIAL SAFETY DATA SHEET

STUCCOMAX™

MSDS DATE: 9/16/2010

SECTION 1: PRODUCT AND COMPANY IDENTIFICATION

PRODUCT NAMES: StuccoMax™

PRODUCT CODES: SM

MANUFACTURER: GigaCrete, INC

ADDRESS: 6775 Speedway Blvd
Suite M105
Las Vegas, NV 89115

TELEPHONE NUMBER FOR INFORMATION: (702) 643-6363

SALES CONTACT: (702) 643-6363

FAX: (702) 643-1480

SECTION 2: COMPOSITION/INFORMATION ON INGREDIENTS

<u>NAME</u>	<u>CAS NO.</u>	<u>% WT</u>
Calcium sulfoaluminate	960375-09-01	5% – 60%
Calcium carbonate	1317-65-3	39% - 94%
Modifiers		1% - 6%

SECTION 2 NOTES: Product may contain <1% proprietary additives.

SECTION 3: HAZARDS IDENTIFICATION

HMIS code: Flammability: 0 Health: 1 Reactivity: 0 Personal Protection: Safety glasses, dust masks.

EMERGENCY OVERVIEW: This product is not expected to present unusual hazards during use. The powder may present a respiratory system irritant, and the wet mix can be irritating to the skin. The setting reactions of StuccoMax™ are exothermic, and the amount of heat produced is directly related to the ambient temperature and the thickness of the application. Because of this, the product should not be used for live casting.

ROUTES OF ENTRY: Inhalation, ingestion (dry); ingestion (wet). While possible, ingestion is an unlikely route of exposure. Product may irritate skin and eyes in both wet and powder form.

POTENTIAL HEALTH EFFECTS

EYES: Airborne dust may be irritating to the eyes and cause inflammation.

SKIN: Prolonged contact may be mechanically irritating.

INGESTION: May cause gastrointestinal upset.

INHALATION: Chronic overexposure to nuisance dust may irritate the lungs and throat.

SECTION 4: FIRST AID MEASURES

EYES: Flush with clean water for 15 minutes. If irritation persists, seek medical attention.

SKIN: Wash hands with soap and water after use.

MATERIAL SAFETY DATA SHEET

STUCCOMAX™

MSDS DATE: 9/16/2010

INGESTION: If ingested in sufficient quantity as to cause discomfort, provided that the person is conscious, offer water and seek medical attention. Never give anything by mouth to an unconscious person. Do not induce vomiting except as directed by trained medical personnel.

INHALATION: Remove the victim to fresh air. Dust irritation should resolve quickly; however, if effects persist or later develop, seek medical attention.

SECTION 5: FIRE-FIGHTING MEASURES

NFPA code: Flammability: 0 Health: 1 Reactivity: 0 Special: 0
FLASH POINT: Not combustible.

UNUSUAL EXTINGUISHING MEDIA: None. Use medium appropriate to the primary cause of the fire.

SPECIAL FIRE FIGHTING PROCEDURES: None.

UNUSUAL FIRE AND EXPLOSION HAZARDS: None.

SECTION 6: ACCIDENTAL RELEASE MEASURES

ACCIDENTAL RELEASE MEASURES: Use dustless methods of cleanup for dry powder, if possible. NIOSH-approved respirators are advised. If the material has not been exposed to an external contaminant, it may be disposed of as any other cement.

SECTION 7: HANDLING AND STORAGE

HANDLING AND STORAGE: Store in a dry location above 32° F.

SECTION 8: EXPOSURE CONTROLS/PERSONAL PROTECTION

COMPONENT

All main components:

	<u>mg/m3</u>
OSHA PEL-TWA (respirable):	5
OSHA PEL-TWA (total):	15
ACGIH TLV TWA (respirable):	10

ENGINEERING CONTROLS: Provide adequate air movement and mechanical ventilation if used in an enclosed area.

VENTILATION: Use local exhaust or mechanical ventilation to meet PEL requirements when handling dry, unmixed powder. None required for wet, plastic mortar. Provide adequate air movement and mechanical ventilation if used in an enclosed area.

RESPIRATORY PROTECTION: Provide workers with NIOSH-approved respirators when working with dry powders and spray applications.

MATERIAL SAFETY DATA SHEET

STUCCOMAX™

MSDS DATE: 9/16/2010

EYE PROTECTION: Wear safety glasses with side shields to protect against accidental contact.

SKIN PROTECTION: Waterproof gloves are recommended.

OTHER PROTECTIVE CLOTHING OR EQUIPMENT: Long sleeves; apron as necessary.

WORK HYGIENIC PRACTICES: Normal housekeeping procedures. Avoid contact with eyes.

SECTION 9: PHYSICAL AND CHEMICAL PROPERTIES

APPEARANCE: Light brown powder.

ODOR: Faint odor; ester-like.

PHYSICAL STATE: Solid.

SPECIFIC GRAVITY (H₂O = 1):

@ 25 °C

1.5 - 2.2 when mixed with water

SOLUBILITY IN WATER: Slight

PERCENT SOLIDS BY WEIGHT: >99%

SECTION 10: STABILITY AND REACTIVITY

STABILITY: Stable

INCOMPATIBILITY (MATERIAL TO AVOID): Do not permit the powder to contact water prior to the desired mixing time.

HAZARDOUS DECOMPOSITION OR BY-PRODUCTS: Exposure to strong acids will yield carbon dioxide.

HAZARDOUS POLYMERIZATION: Will not occur.

SECTION 11: TOXICOLOGICAL INFORMATION

Tier I / Tier II Hazard Category (40 CFR 370): Immediate Health Hazard: Fresh, wet mixed plastic cement; Chronic Health Hazard: Crystalline silica.* The wet cement may cause skin and eye irritation.

Toxicity data for crystalline silica: Oral LD 50 Rat: 500 mg/kg

**Note: Trace amounts of crystalline silica may appear due to naturally-occurring impurities in raw materials. The State of California (Proposition 65) requires warning for exposure to crystalline silica when there is a potential for exposure to airborne particles of respirable size.*

MATERIAL SAFETY DATA SHEET

STUCCOMAX™

MSDS DATE: 9/16/2010

SECTION 12: ECOLOGICAL INFORMATION

COMPONENT ANALYSIS – ECOTOXICITY

NJTS-50059-NCD: Daphnia magna/EC50 (48 h): > 100 mg/l

No data available for other components.

SECTION 13: DISPOSAL CONSIDERATIONS

WASTE DISPOSAL METHOD: Dispose of in accordance with federal, state, and local regulations.

SECTION 14: TRANSPORT INFORMATION

Stuccomax™ is not hazardous under U.S. DOT regulations.

SECTION 15: REGULATORY INFORMATION

This trade name product contains no chemicals subject to the reporting requirements of Section 313 of Title III of the Superfund Amendments and Re-authorization Act of 1986 (SARA) and 40 CFR Part 372.

This product contains no ingredients on the list of Extremely Hazardous Substances for SARA Emergency Planning.

This product may contain chemicals on the California Proposition 65 list.

SECTION 16: OTHER INFORMATION

DISCLAIMER: This Material Safety Data Sheet (MSDS) has been developed for current compliance with OSHA's Hazard Communication Standard, 29 CFR 1910.1200. The information contained herein is based upon data considered accurate. GigaCrete, Inc. assumes no responsibility for personal injury or property damage to vendees, users or third parties caused by the material. Such vendees and users assume all risks associated with the use of this material.



GigaCrete Inc.
6775 Speedway Blvd. Suite M105
Las Vegas, NV 89115
Ph – (702) 643-6363
Fax – (702) 643 1453
www.gigacrete.com

CAUTION AND DISCLAIMER

The information below should be obvious to design professionals, contractors, builders, installers, purchasers and users of GigaCrete's materials and we ask that you please review this information and to remember the importance of sound design and construction practices, methods and materials.

GigaCrete's materials are components of construction assemblies and are not consumer products. Serious damage to GigaCrete's materials and to the buildings and building components and assemblies into which they are incorporated can result from

- (1) Improper use, application or installation,
- (2) Use as part of improperly designed or constructed assemblies or buildings or with defective adjacent materials or assemblies,
- (3) Failure to follow applicable specifications, instructions and construction details, or
- (4) Other design or construction defects, deficiencies and failures. Any resulting accumulation of water and moisture in wall assemblies may cause damage to building components including delaminating of wall coverings incorporating GigaCrete's materials, deterioration of internal wall components AND MOLD.

GigaCrete sells its materials "as is" and disclaims all liability and warranties express or implied except for explicit limited written warranties issued to building owners in accordance with GigaCrete's approved warranty program offerings from time to time.

GigaCrete undertakes no responsibility for the quality of its materials except as otherwise provided in its approved warranty program offerings.

GigaCrete assumes no responsibility that its materials will be fit for any particular purpose, except as otherwise provided in GigaCrete's approved warranty program.

GigaCrete will not be liable for any direct, incidental, consequential, or indirect damages (including lost profits) arising out of use of its materials. Please note that some jurisdictions may not allow the exclusion of implied warranties, so some of the above exclusions may not apply to you.

GigaCrete's component materials are intended for application by qualified installers as specified by qualified design professionals.

GigaCrete's component materials should be installed in accordance with written specifications, instructions, details and applicable code organization evaluation reports under supervision of qualified builders, general contractors, design professionals or independent inspectors. Please see the relevant guide specifications for qualification guidelines. Although every effort is made to ensure that the information is timely and correct, it is provided solely as a guide to assist the designer, specifier, builder, general contractor and/or installer. The responsibility remains with the designer, specifier, builder, general contractor and/or installer to apply the information provided by GigaCrete properly to specific installations.

GigaCrete's component materials should be installed only using suitable design and construction methods and with non-defective properly installed and constructed adjacent materials and assemblies.

Performance of the completed building components into which GigaCrete's component materials have been installed should be verified by testing and inspection as appropriate, carried out only by qualified persons. It is the user's responsibility and obligation to provide for such inspection and testing.

GigaCrete's component materials are not designed or intended to be able to correct or prevent damage from faulty design or workmanship such as the absence or improper integration of flashing, nor are they designed or intended to correct or prevent damage from other defective components of construction that leak anywhere into the wall assembly. Flashing should always be integrated with the cladding to direct water to the exterior, not into the wall assembly, particularly at potential leak sources. The design/construction professional must take material compatibility and construction sequencing into account when designing a building exterior. Flashings, windows, roofs, doors and other building penetration and termination locations and adjacent materials should be fully evaluated, properly selected and constructed to prevent water entry into building assemblies. The accumulation of moisture behind GigaCrete's component materials may result in building damage. Qualified design and construction professionals should strictly comply with specified procedures for mixing, application and integration to avoid causing or contributing to potential water intrusion problems.

GigaCrete disclaims, and assumes no, liability for on-site inspections, for improper application, assembly, installation or use of GigaCrete's materials or any assemblies into which they are incorporated, for incorporation as part of an improperly designed or constructed building, for the nonperformance of adjacent building components or assemblies, for all on-site construction activities (being beyond GigaCrete's control), or for any damage including water or moisture intrusion or delaminating resulting in whole or in part because of any such occurrences. Before use, design professionals, owners and contractors should fully investigate GigaCrete's materials and assemblies into which they are incorporated to enable informed choices as to suitability for a particular project and proper design and implementation.

Purchasers of GigaCrete's component materials should share this Caution and Disclaimer information with purchasers or owners of buildings into which GigaCrete's materials are incorporated.

.....



GigaCrete Inc.
6775 Speedway Blvd. Suite M105
Las Vegas, NV 89115
Ph – (702) 643-6363
Fax – (702) 643 1453
www.gigacrete.com

GigaCrete's approved warranty program

GigaCrete, Inc. warrants all of its products and systems for a specific period of time depending on the systems or products used. Below is a description of the approved warranty terms for the various products and systems, as well as the limitations and restrictions that apply. In the event of a discrepancy between the summaries contained below and the actual warranty, the terms of the actual warranty shall control.

PlasterMax and StuccoMax over foam systems

GigaCrete provides its most comprehensive warranties for its StuccoMax® and PlasterMax®

The StuccoMax and PlasterMax comes with a five (5) year warranty from the date of substantial completion of the project. The warranty provides that the materials provided by GigaCrete will be free from manufacturing defects and for a period of five (5) years from the date of substantial completion, when installed in accordance with GigaCrete's published specifications and application instructions by a contractor who is participating in GigaCrete's Installation Management Program, will not lose their bond from the foam, peel, flake, or chip, so long as the surface integrity of the PlasterMax products are maintained, will pursuant to ASTM-E84 and NFPA 286, function as a 15 minute fire rated barrier as defined by US building code. Materials covered by this warranty include GigaCrete PlasterMax and GigaCrete PlasterMax Decorative coat and StuccoMax for exterior applications as a weather barrier and exterior finish.

Limitations and exclusions

The following limitations and exclusions apply to all GigaCrete Warranties:

No warranty whatsoever is made with respect to any materials other than the GigaCrete products specifically identified above, even if such other materials are used in the installation of the GigaCrete products. Further, no warranty is made whatsoever for any damages caused in whole or in part by any of the following: acts of God or natural phenomenon, such as but not limited to falling objects, fire, earthquakes, floods, tornadoes, hurricanes or pests; unusual air pollution or chemical fumes in the atmosphere; architectural, engineering, or other design deficiencies; defective or improper workmanship by the contractor in installing the GigaCrete products or failure on the part of the contractor to follow GigaCrete's current published application instructions, specifications or details; nor for other damage or injury not solely and directly caused by a failure of the GigaCrete products to perform as warranted.

The warranty shall be void, and GigaCrete will make no warranties whatsoever with respect to the GigaCrete products (i) if they are intermixed with other chemicals or materials not specifically required by GigaCrete, or if there is a substitution of any of the components included in any of the GigaCrete Systems; or (ii) if the GigaCrete products shall not have been paid for in full.

Except as may be specifically and expressly provided for in the written warranty, GIGACRETE SHALL NOT BE RESPONSIBLE FOR INCIDENTAL OR CONSEQUENTIAL DAMAGES OF ANY KIND.

GigaCrete's component materials are intended for application by qualified installers as specified by qualified design professionals. GigaCrete's component materials should be installed in accordance with written specifications, instructions, details and applicable code organization evaluation reports under supervision of qualified builders, general contractors, design professionals or independent inspectors. The responsibility remains with the designer, specifier, builder, general contractor and/or installer to apply the information provided by GigaCrete properly to specific installations. GigaCrete's component materials should be installed only using suitable design and construction methods and with trade professionals trained in the art of cementitious/plaster type coatings application.

The sole responsibility and liability of GigaCrete under the warranty shall be to repair or replace, at its option and by a contractor selected by it, the GigaCrete products shown to be defective during the Warranty Period. GigaCrete shall undertake to make such repairs or replacement as it deems necessary in order to return the GigaCrete products to a commercially acceptable standard. No other expenses or charges will be permitted.

The warranty is issued to the original owner of the structure to which GigaCrete products shall have been incorporated, and may not be transferred or assigned except to a subsequent owner of the structure upon written notice to GigaCrete.

Since the goods subject to the warranty are building materials and are not intended to be sold to a consumer except as part of real estate or as a major addition thereto, the warranty does not apply to any party constituting a consumer as such term is defined by the Magnuson-Moss warranty act.

GigaCrete shall not have any obligation under the warranty unless the owner notifies GigaCrete in writing at GigaCrete Inc. 6775 Speedway Boulevard, Unit M105, Las Vegas Nevada 89115. Attn: Warranty Department, within thirty (30) days of discovery of the alleged defect(s). GigaCrete shall be allowed a reasonable period of time and authorization to remove samples in order to perform any testing GigaCrete deems necessary to investigate and determine the cause of the defect. The owner shall cause temporary repairs to be made if necessary to avoid further damage until the cause of the problem is determined and permanent repair recommendations can be made.

THIS CONSTITUTES THE ENTIRE WARRANTY AGREEMENT FOR THE GIGACRETE PRODUCTS AND ITS COMPONENTS. EXCEPT FOR THE WARRANTIES EXPRESSLY STATED ABOVE, GIGACRETE DOES NOT MAKE ANY OTHER WARRANTIES EXPRESSED OR IMPLIED AND GIGACRETE EXPRESSLY DISCLAIMS ANY IMPLIED WARRANTIES OF MERCHANTABILITY OR FITNESS FOR A PARTICULAR PURPOSE.

The warranty shall be governed by and interpreted under the laws of the State of Nevada without reference to its choice of law provisions.

AUG. 2010